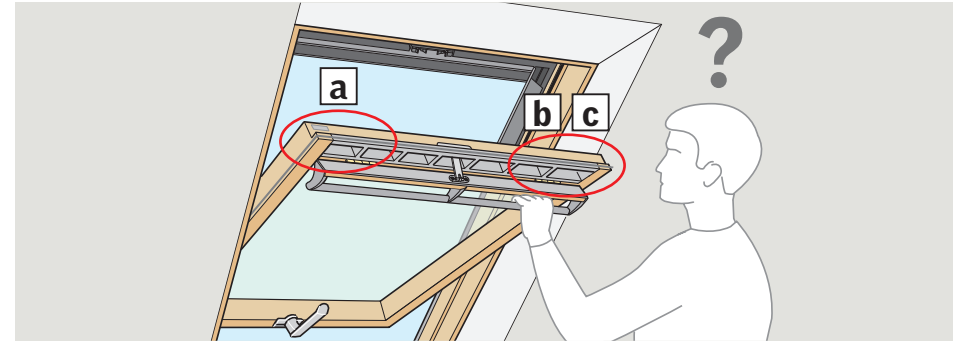


**VELUX®**

# VELUX INTEGRA® MML





**a**

VELUX® XXX XXX XXXXXXXX  
XX XXXX X  
www.velux.com/ce CE 13 EN 14351-1:2006+A2:2016

**Pages 5-18**

**b**

A-Z  
XXX XXX XXXX  
VELUX®  
www.velux.com

**Pages 20-32**

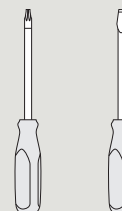
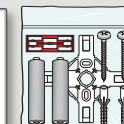
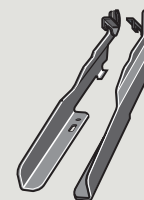
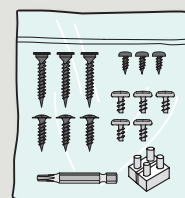
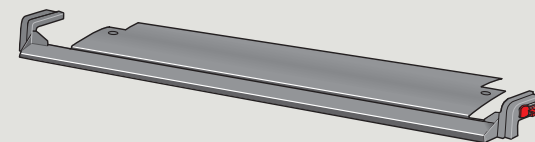
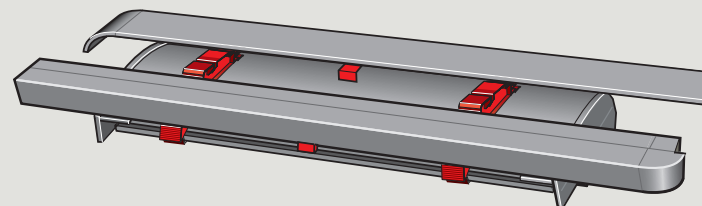
**c**

0-9  
VELUX® XXX XXX XXXX

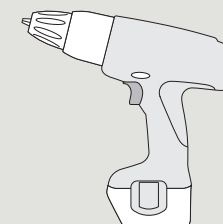
**Z0Z 228**

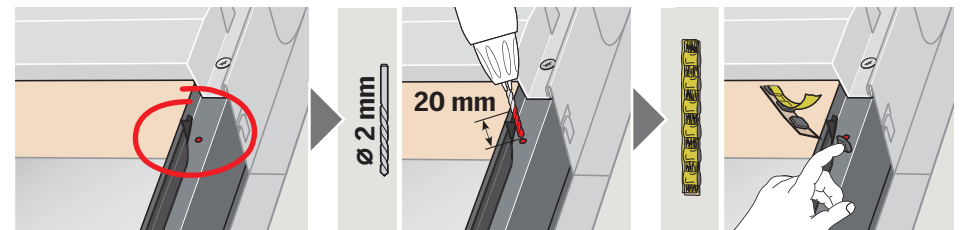
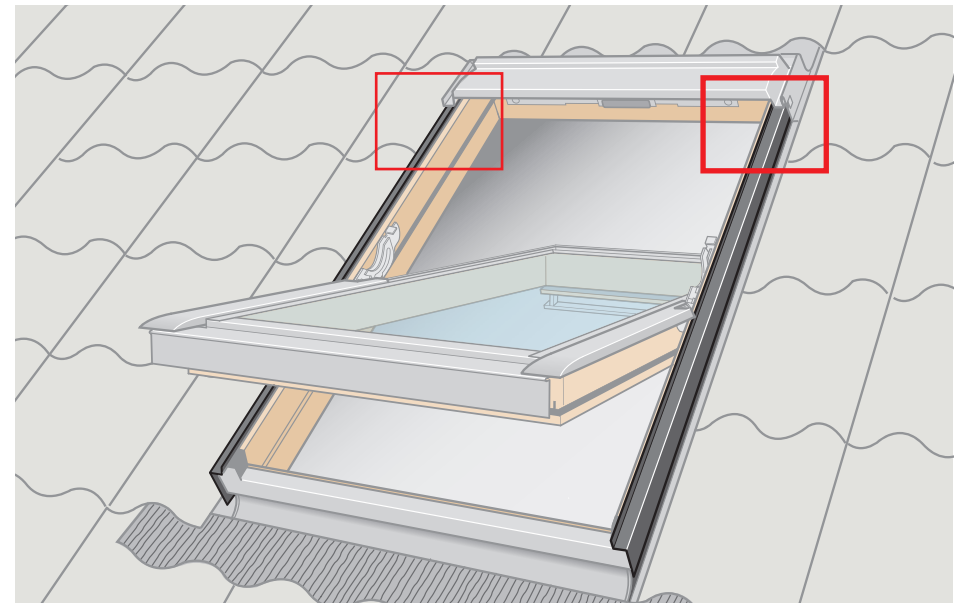
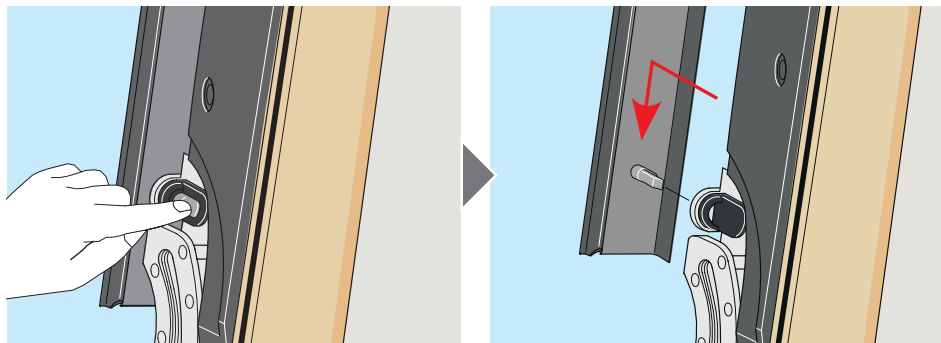
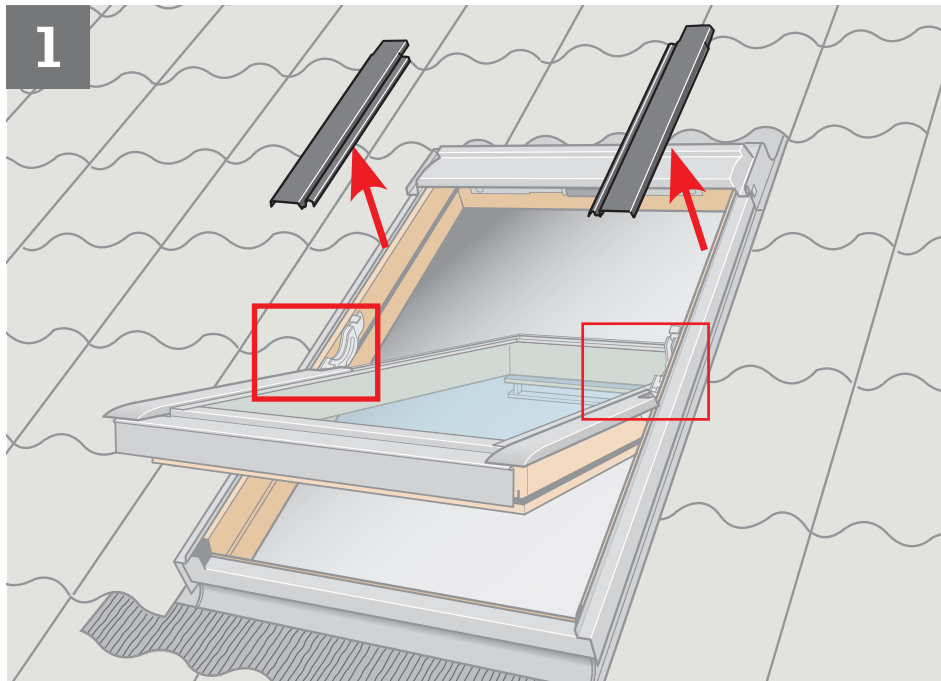
A diagram showing a VELUX product box and its corresponding manual. The manual is titled 'VELUX VELUX® MAN/MRL + Z0Z 228' and features a 'Z0Z 228' label. An arrow points from the box to the manual.

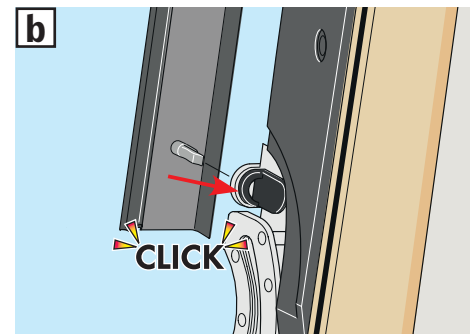
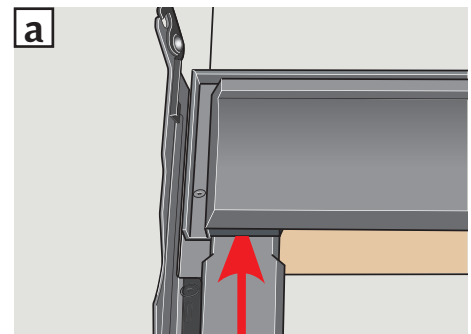
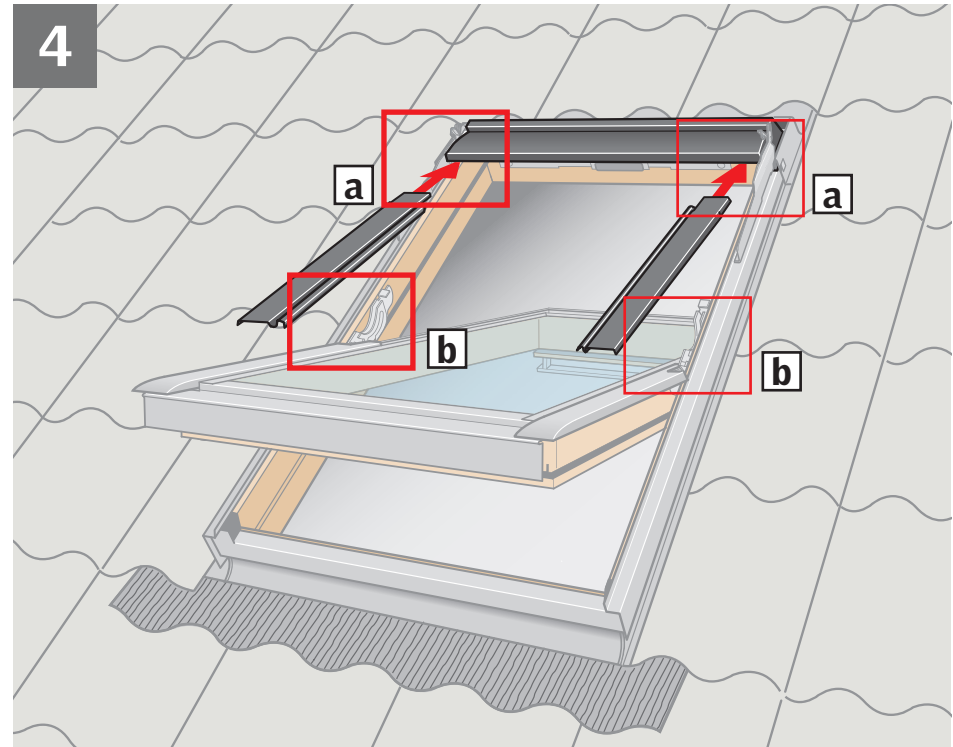
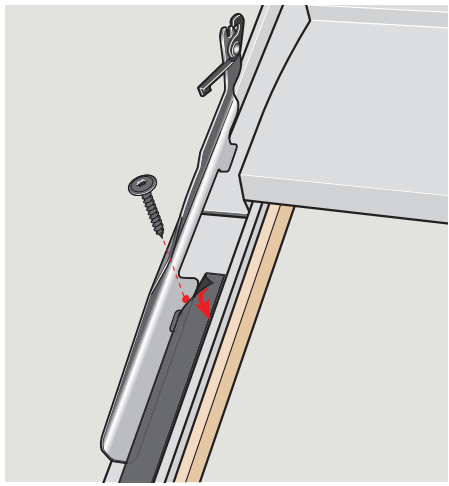
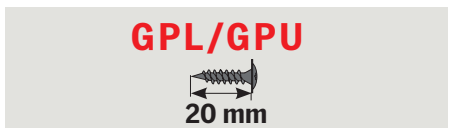
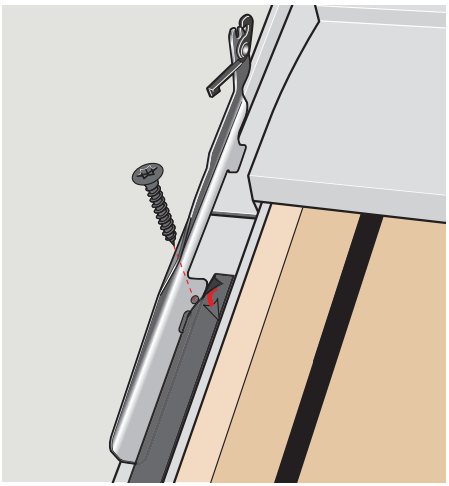
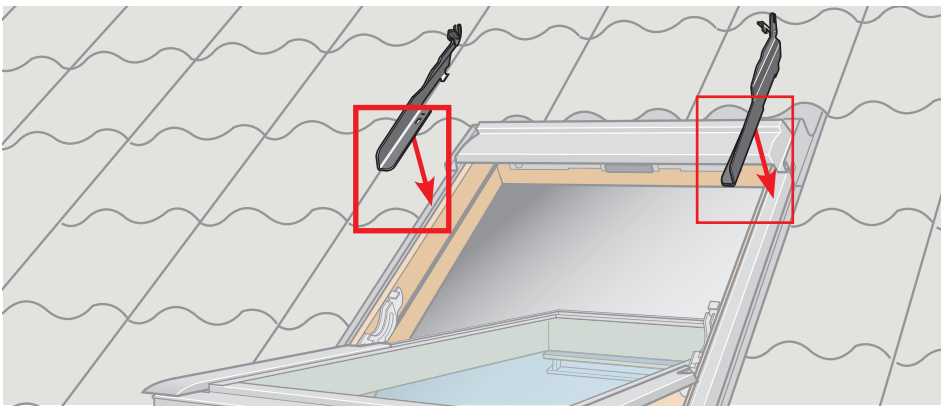
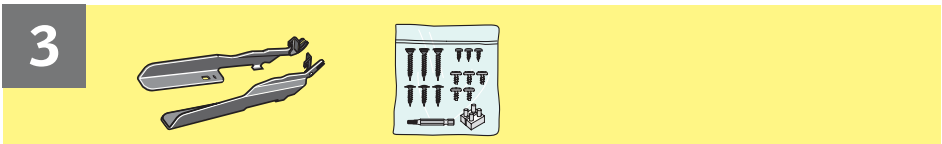
 **24 Vd.c.**

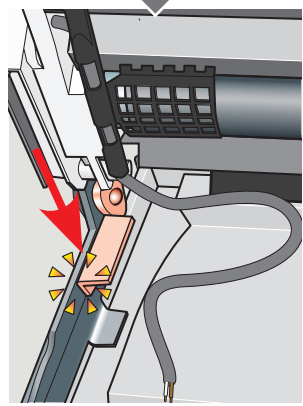
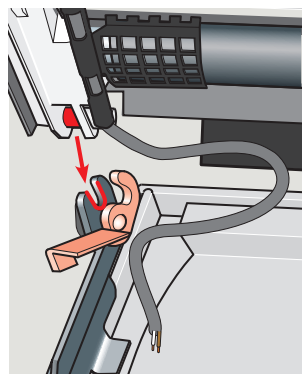
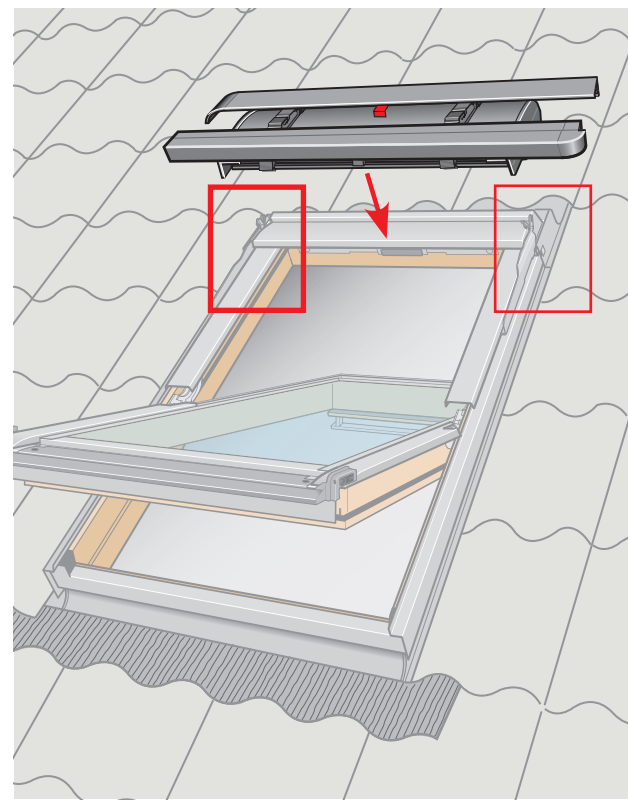
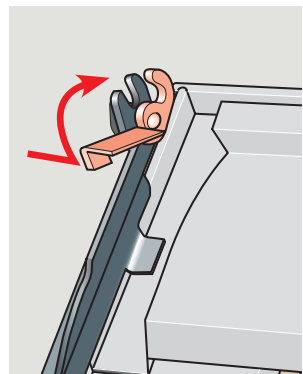
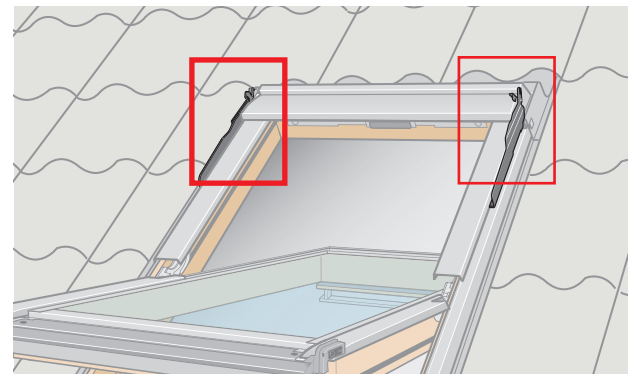
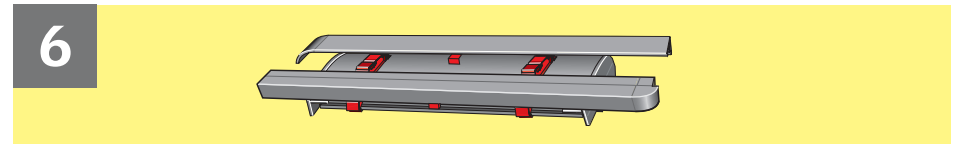
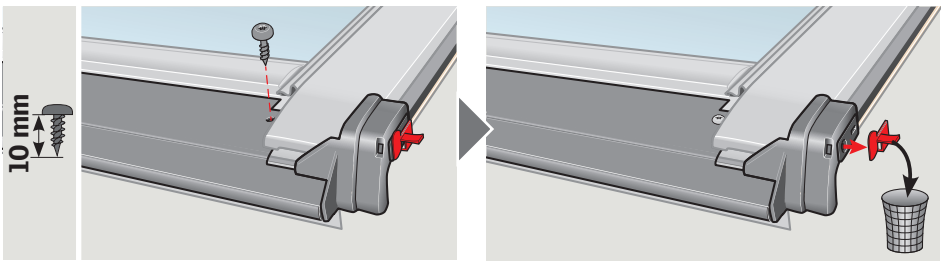
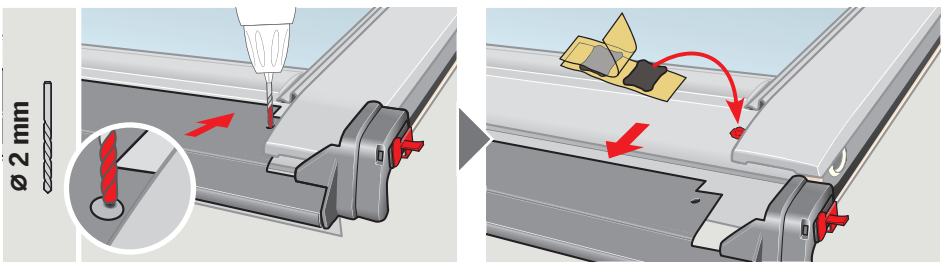
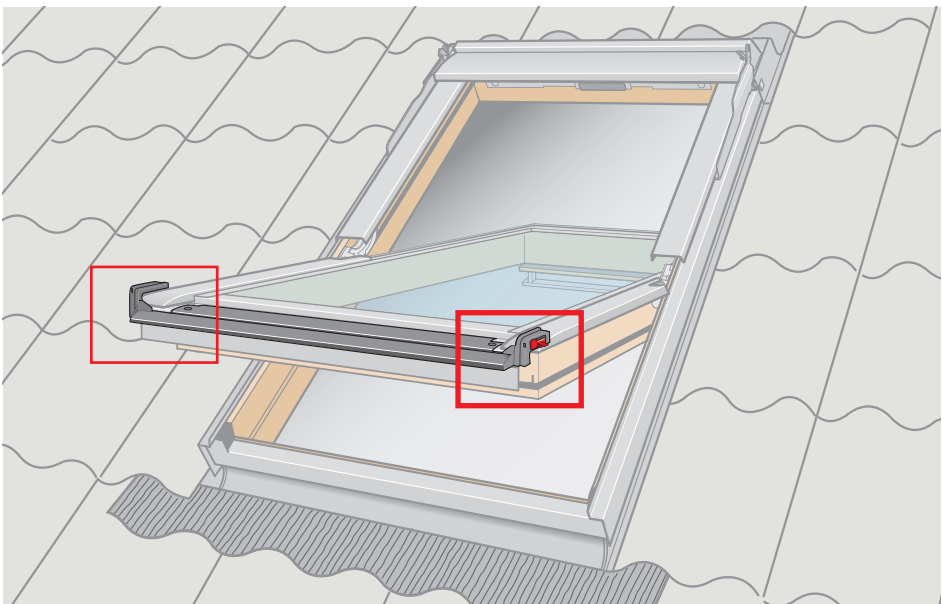
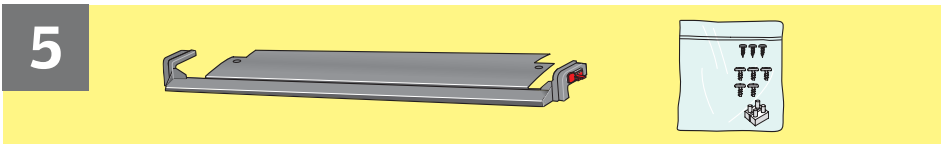


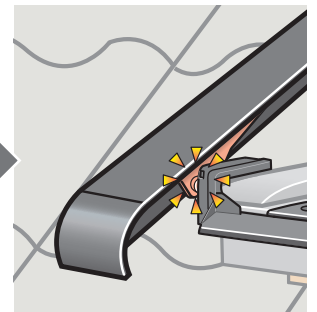
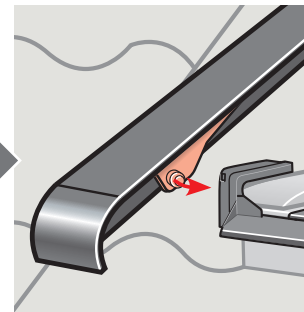
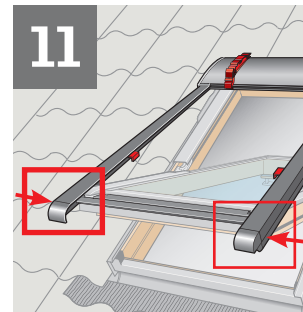
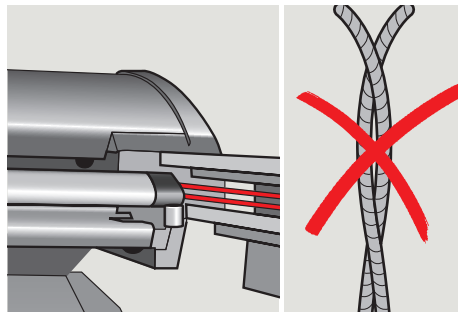
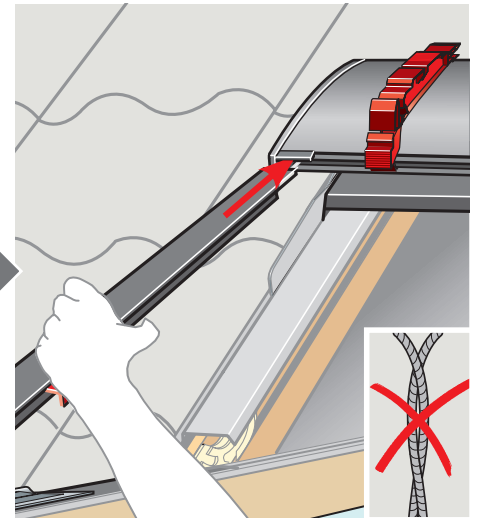
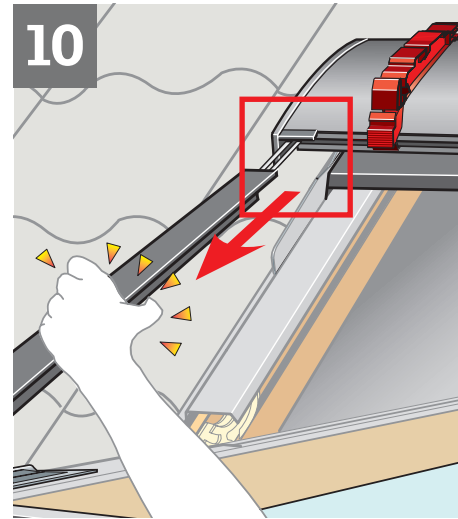
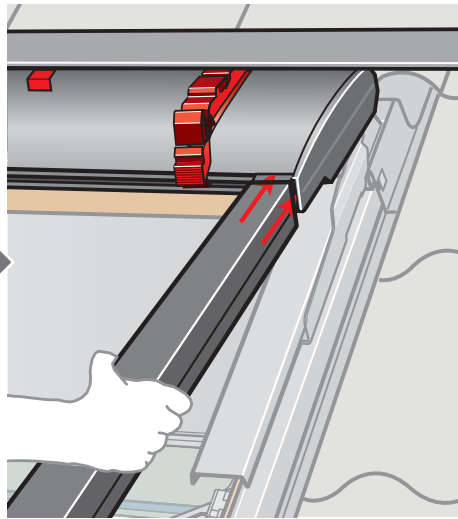
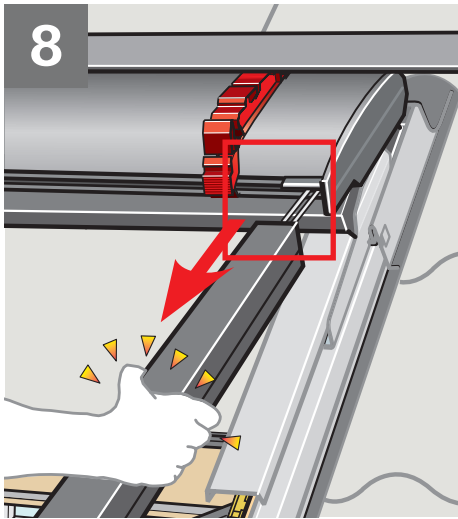
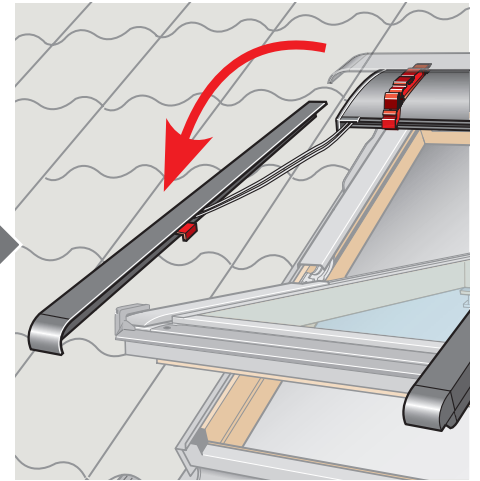
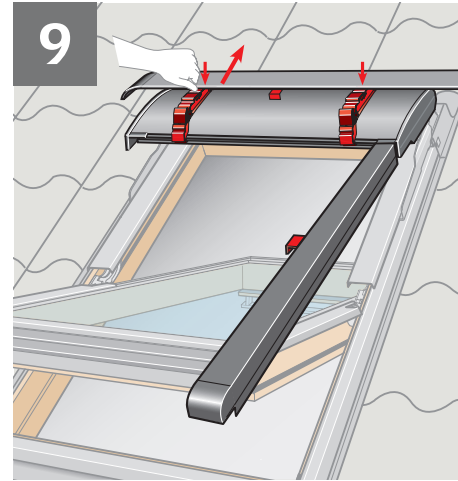
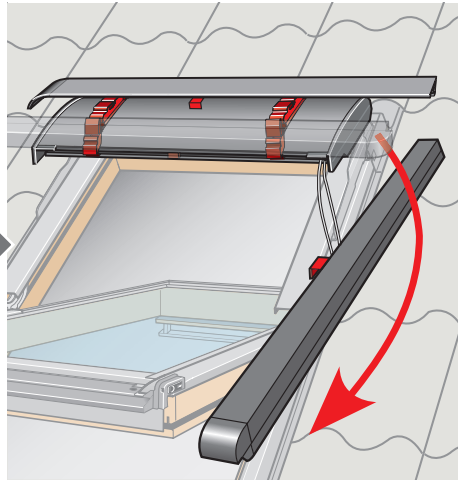
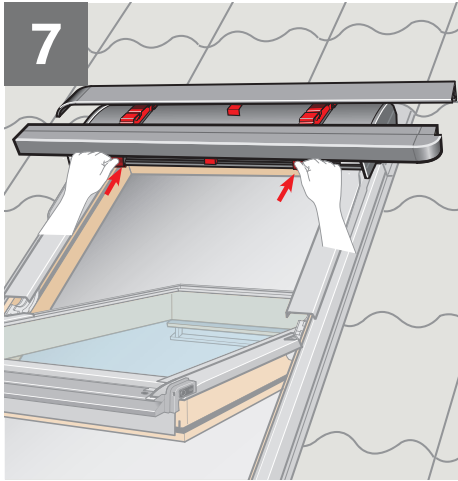
**Ø 2 mm**



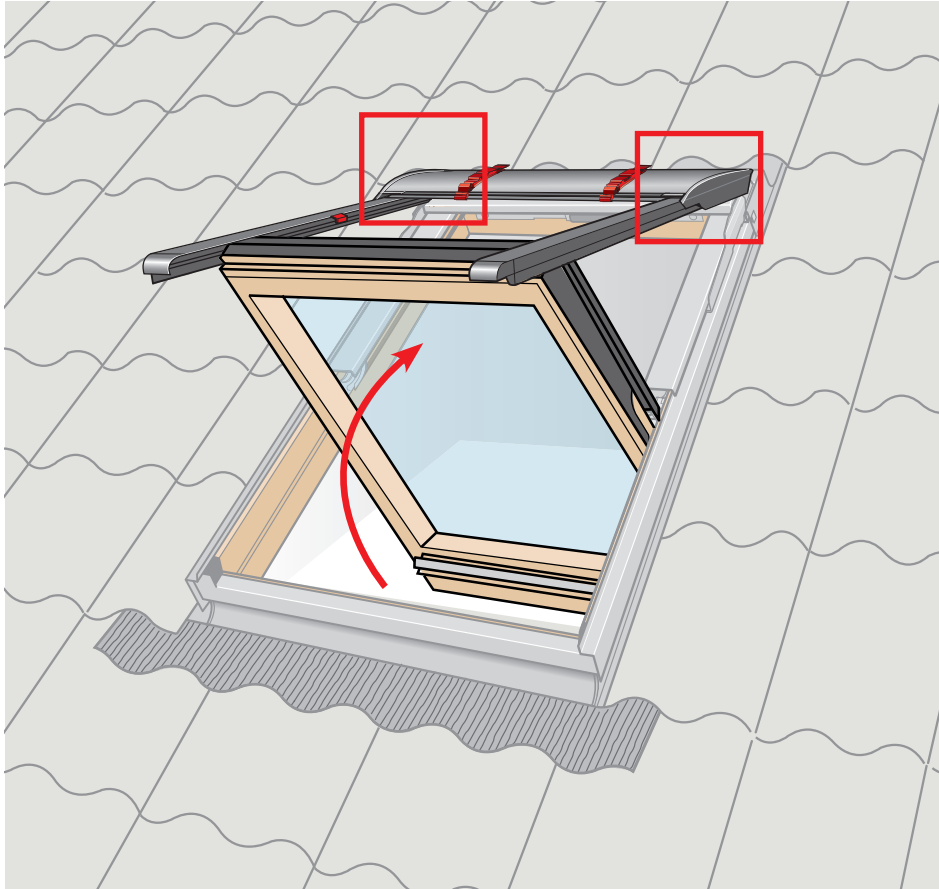
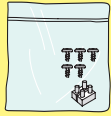




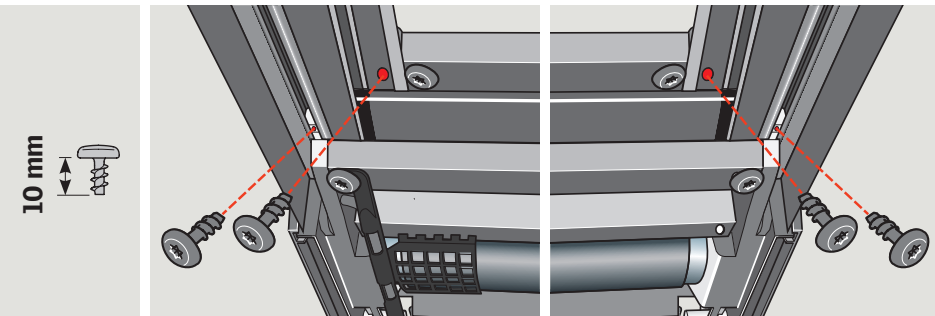
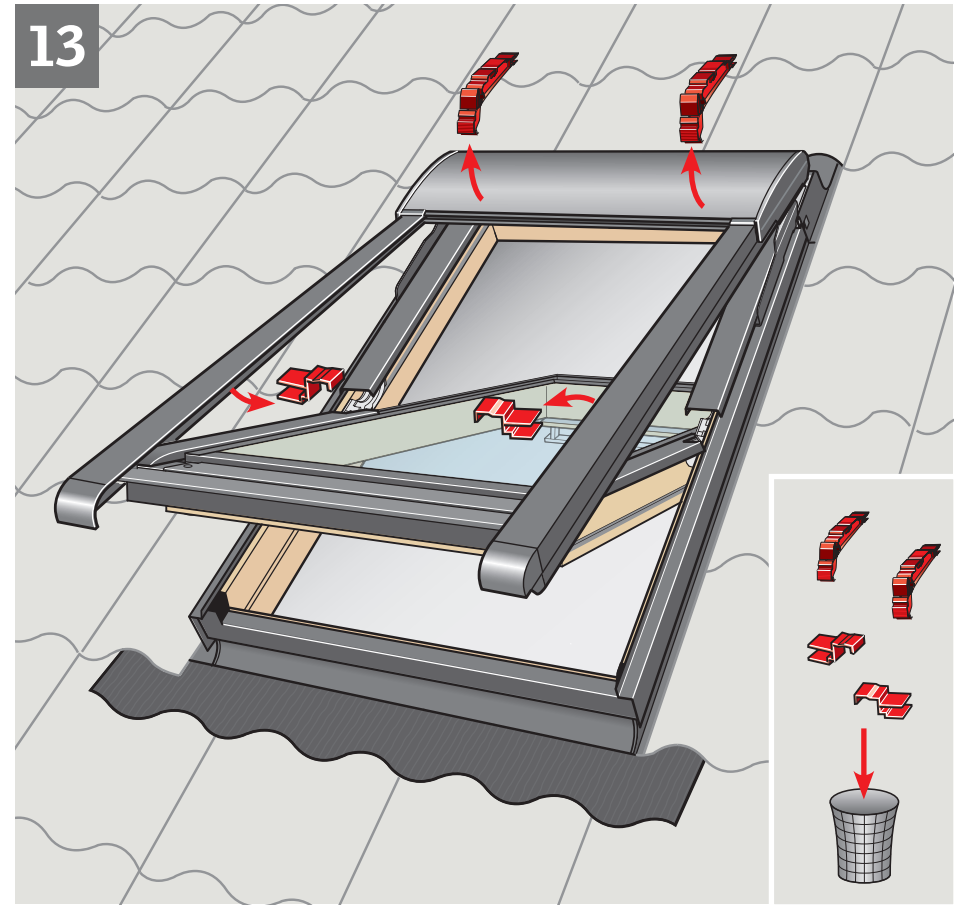




12



13



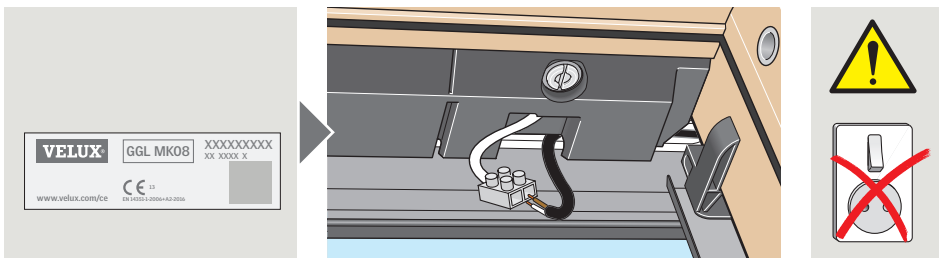
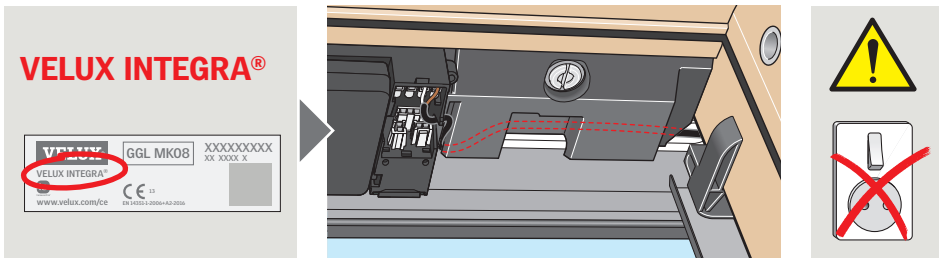
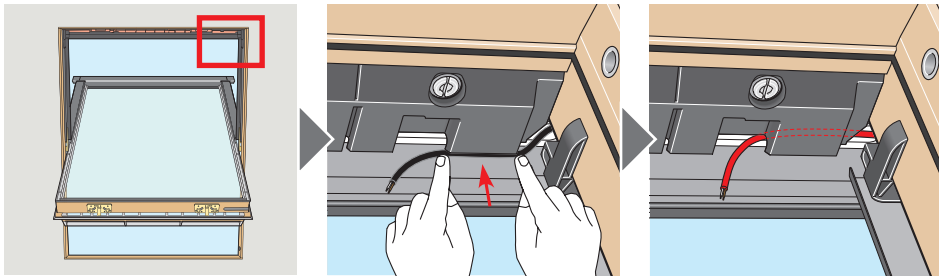
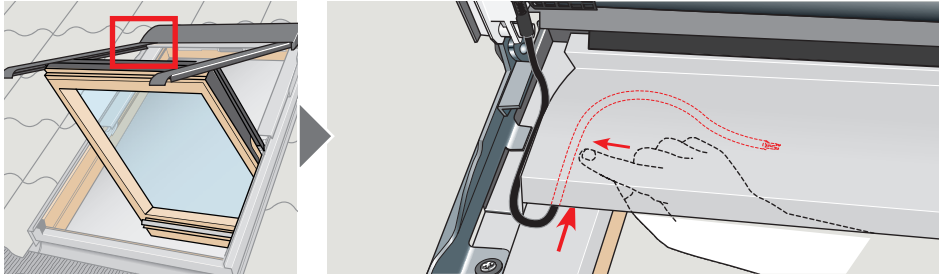
10 mm



14a



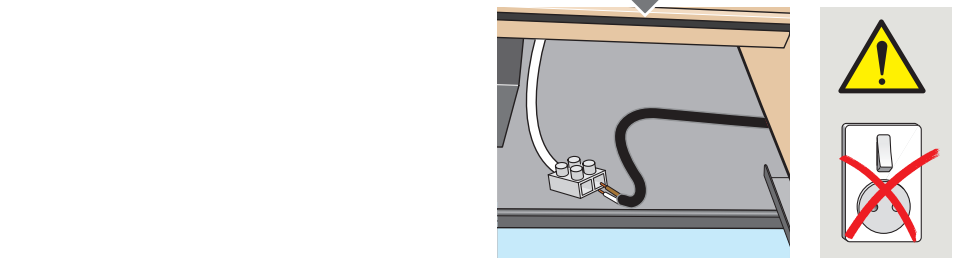
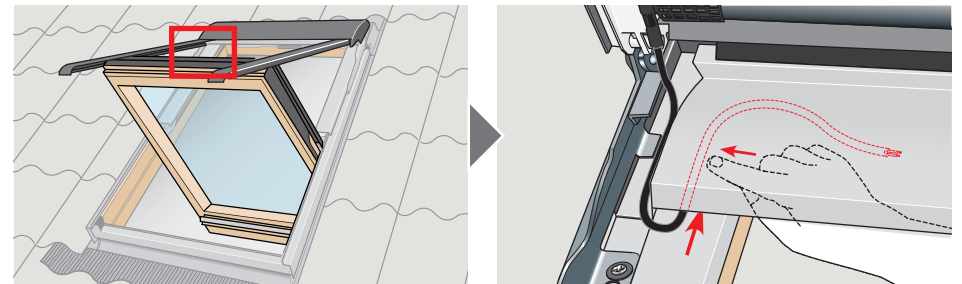
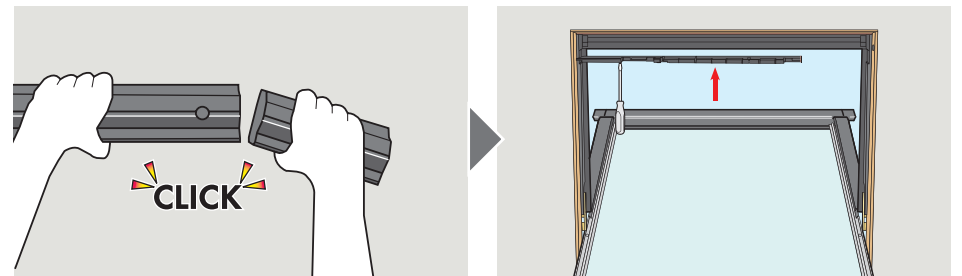
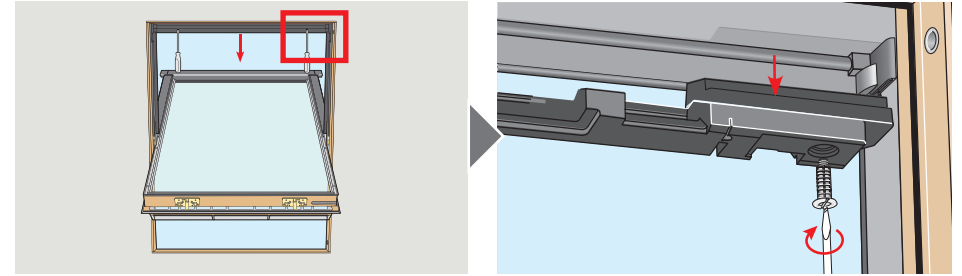
# GGL/GGU



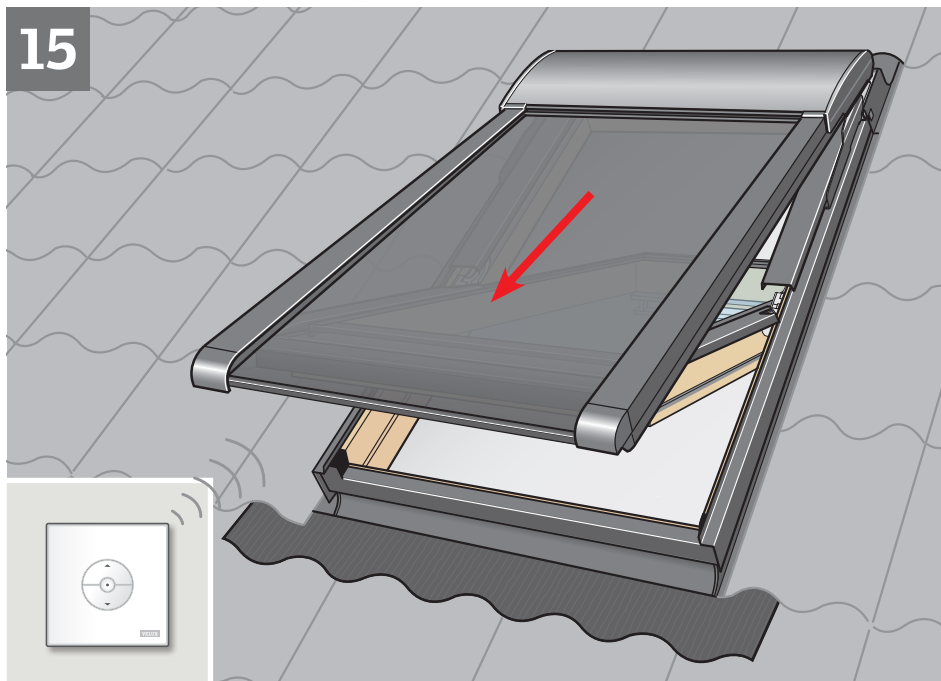
14b



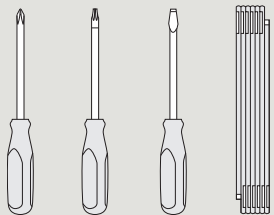
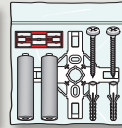
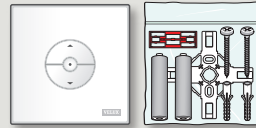
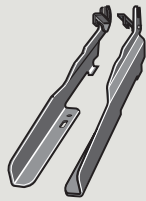
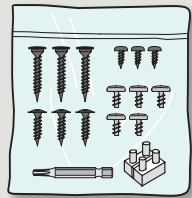
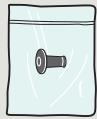
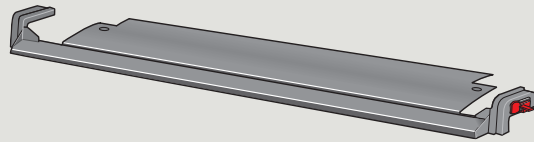
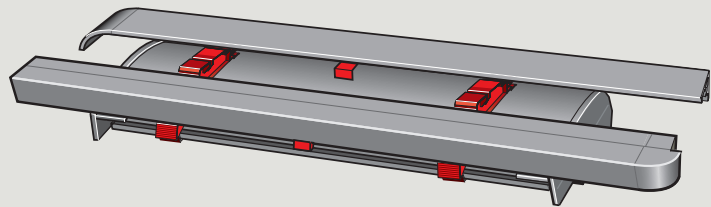
# GPL/GPU



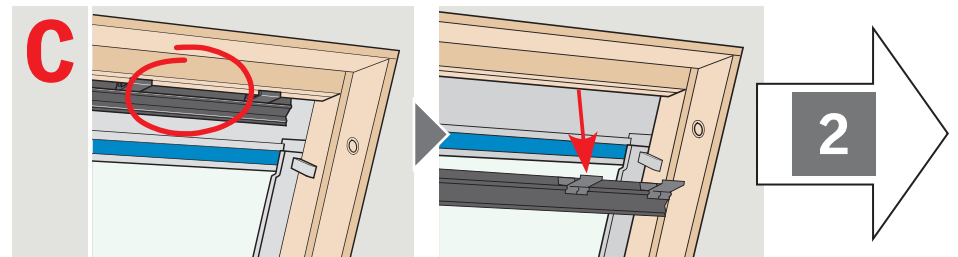
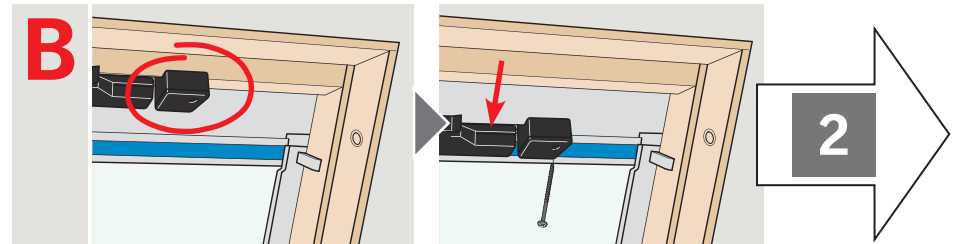
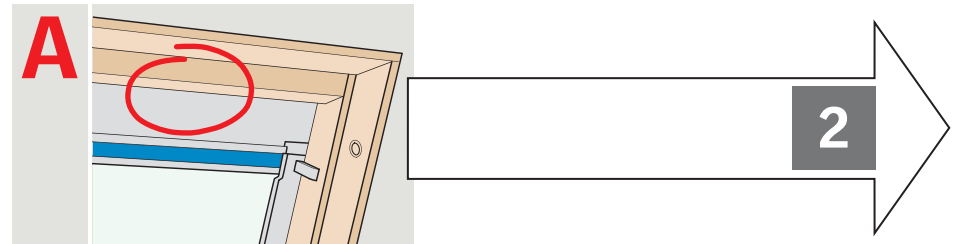
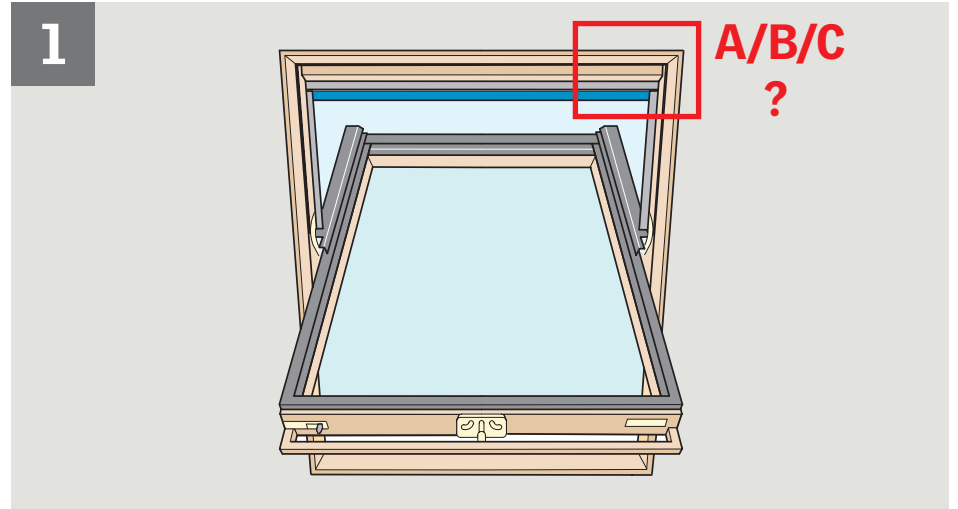
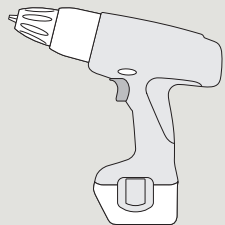
15


An inset image showing a square white control panel with a circular dial and four directional arrows, and a VELUX manual. The manual cover features the VELUX logo and the text 'VELUX INTEGRA®' and 'EINLEITUNG FÜR DAS VERBAUEN'. Below the images is the website address [www.velux.com/integrasupport](http://www.velux.com/integrasupport).

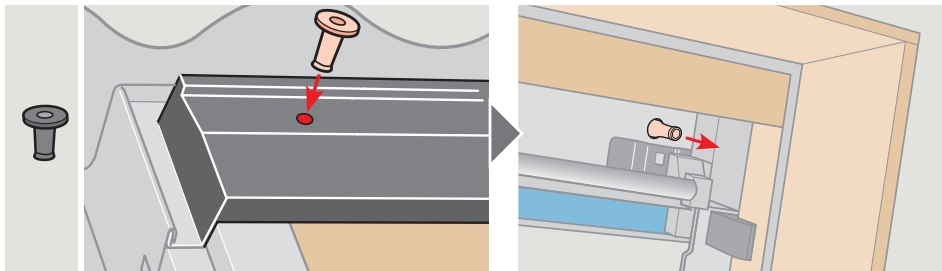
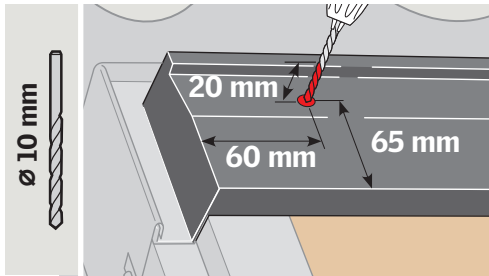
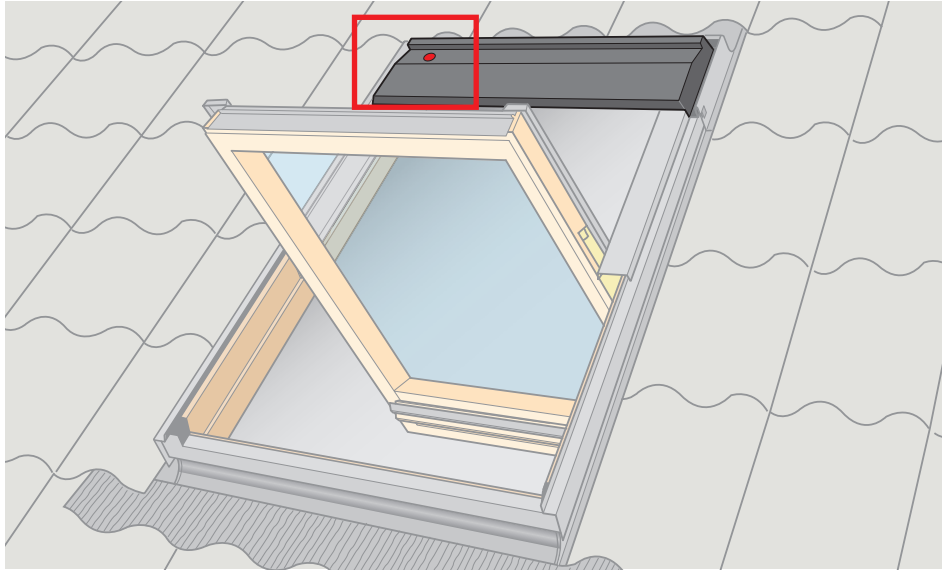
 **24 Vd.c.**



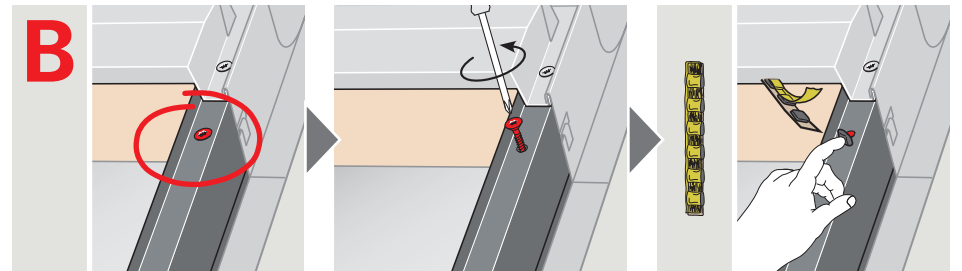
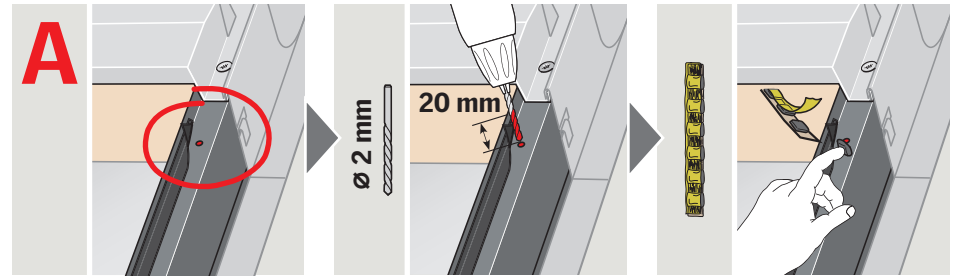
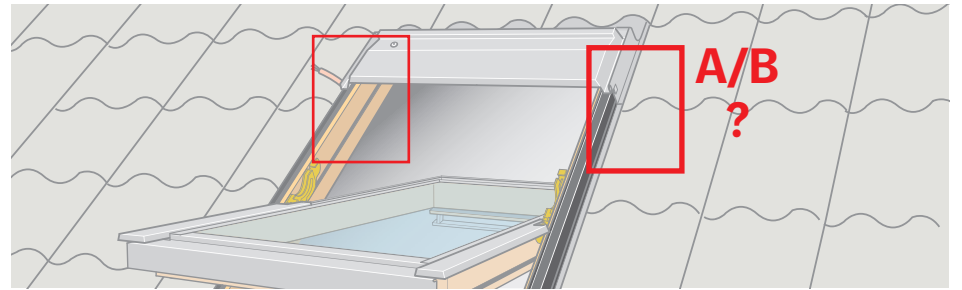
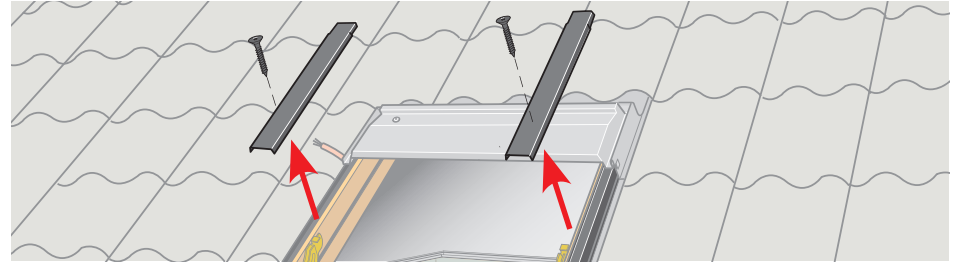
Ø 2 mm  
Ø 10 mm



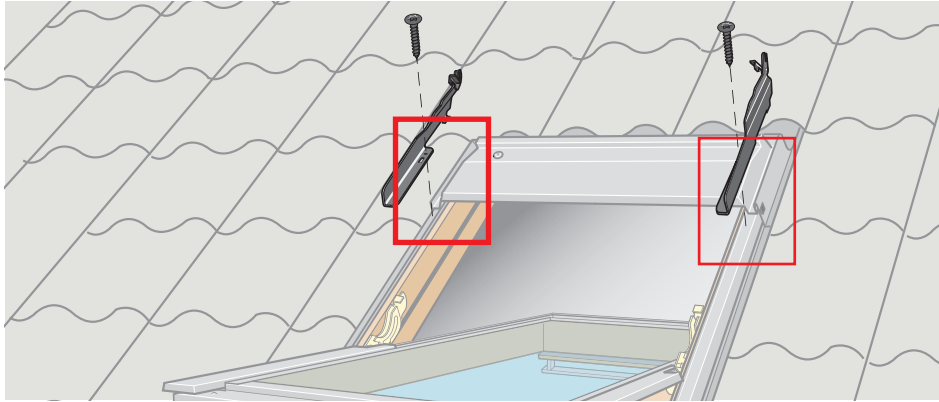
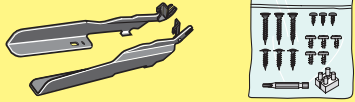
**2** 



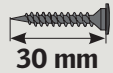
**3** 



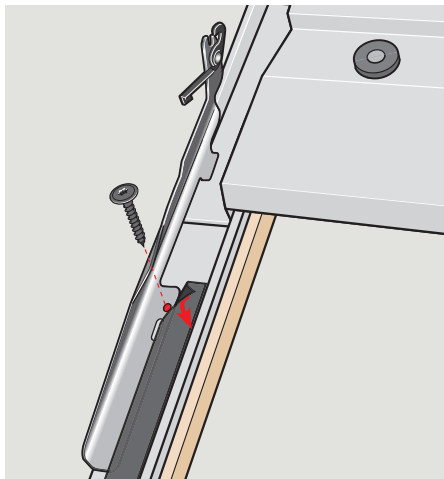
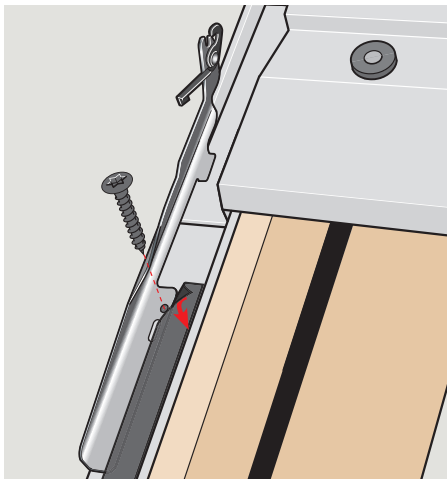
4



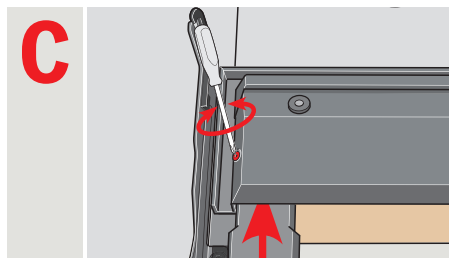
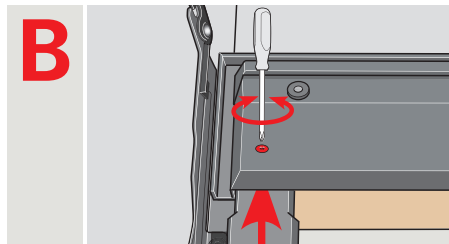
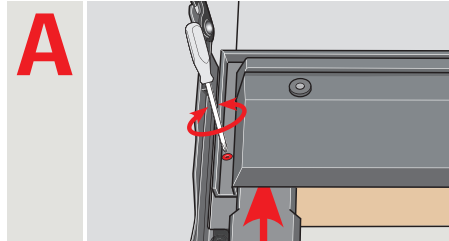
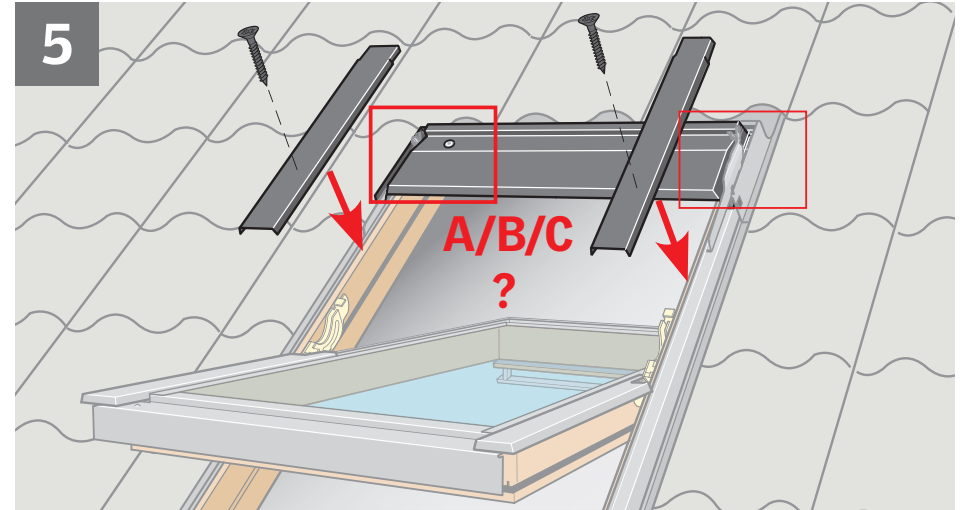
**GGL/GGU/GHL/GHU**

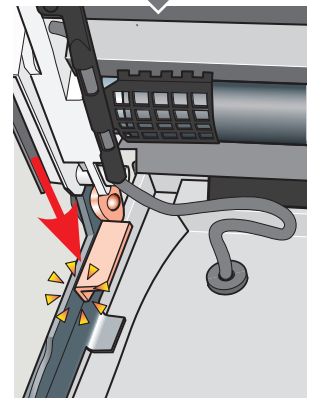
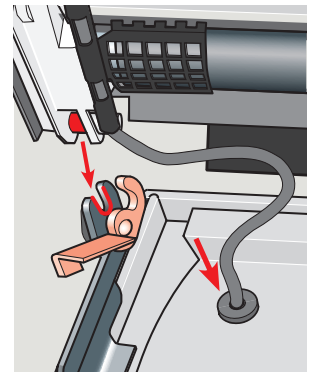
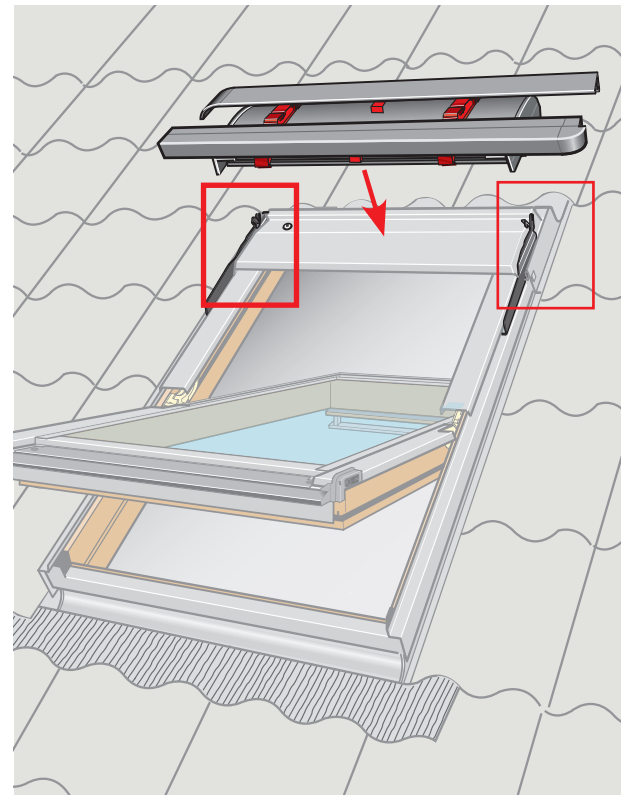
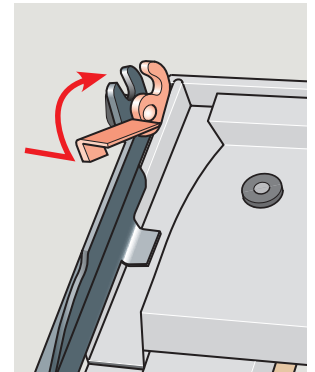
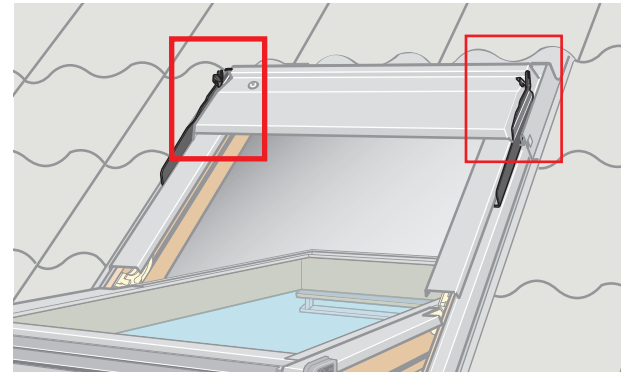
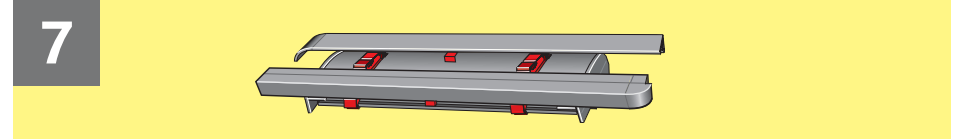
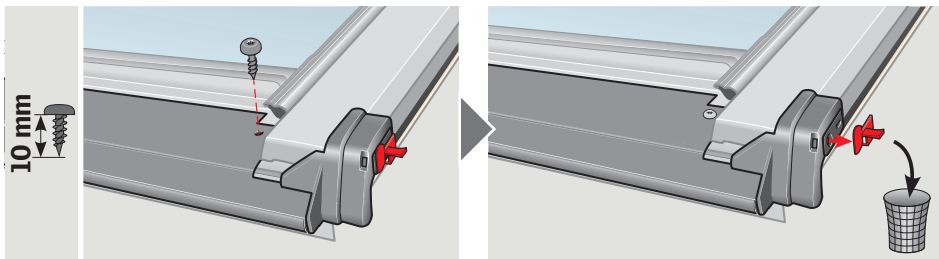
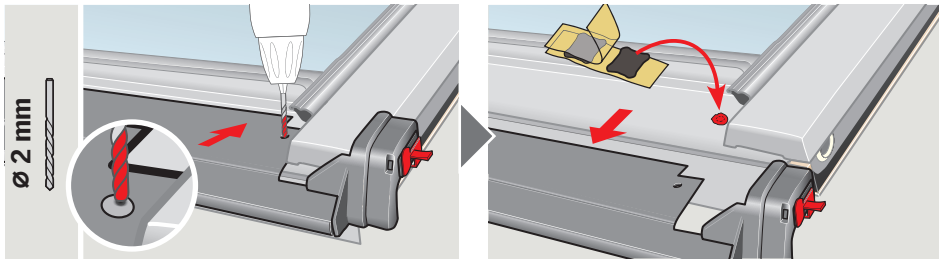
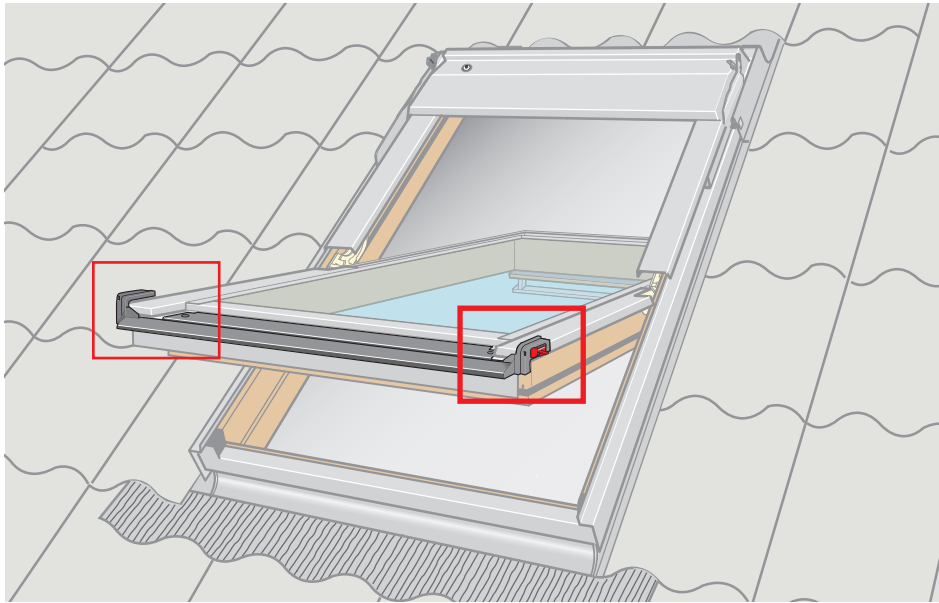
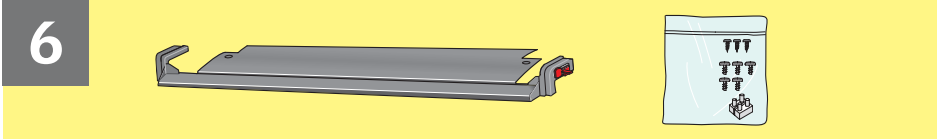


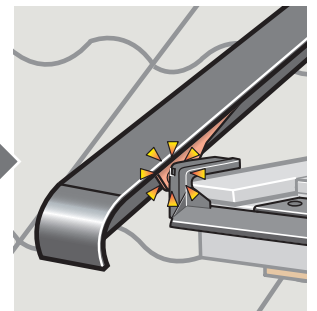
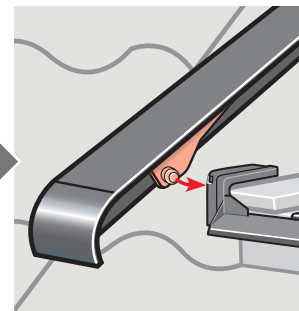
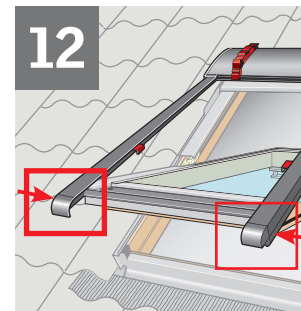
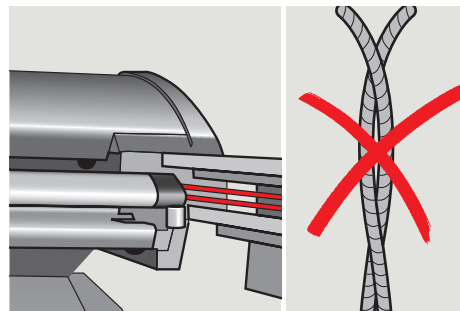
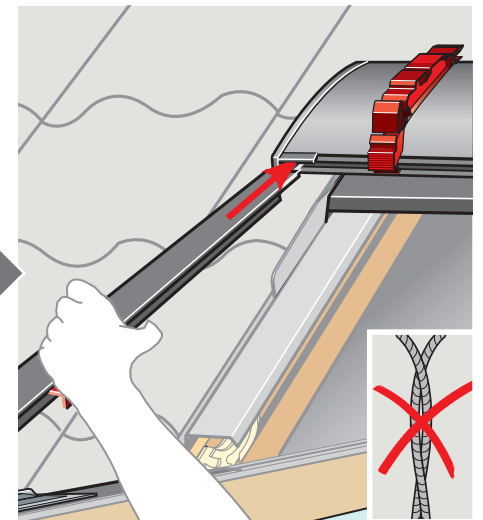
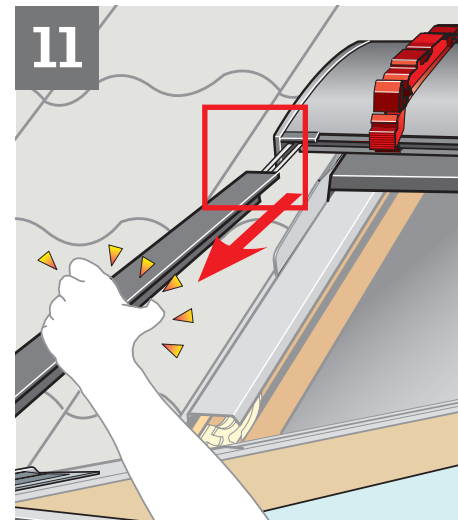
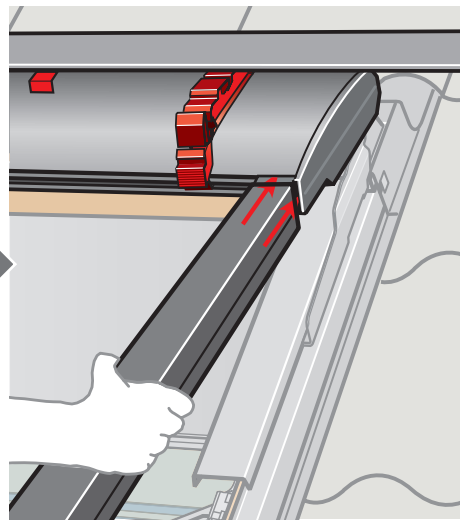
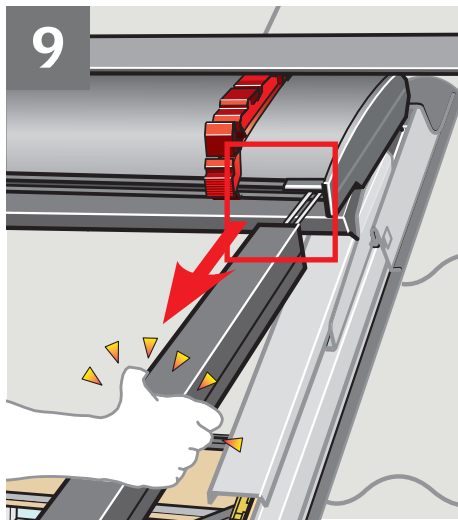
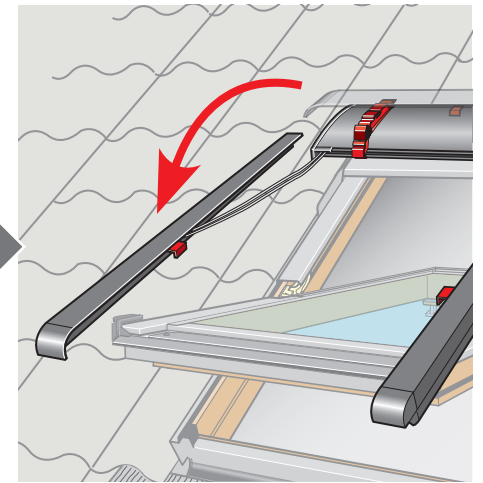
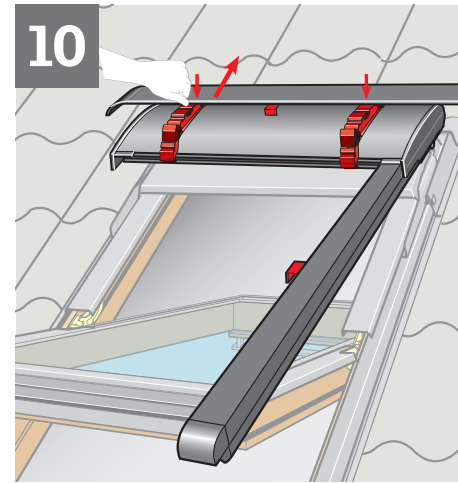
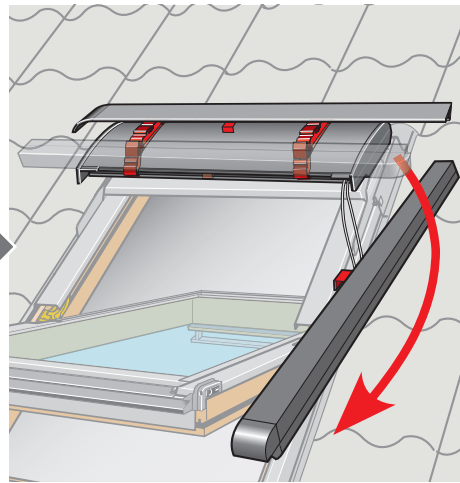
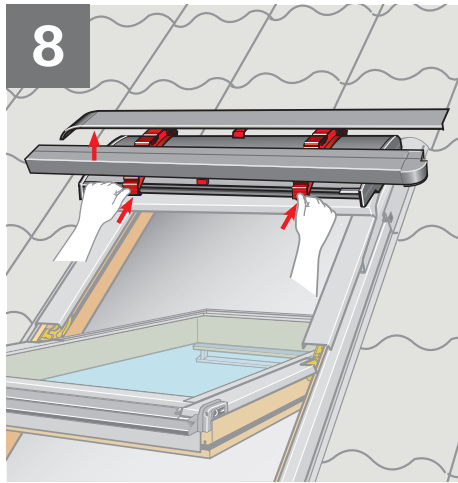
**GPL/GPU**



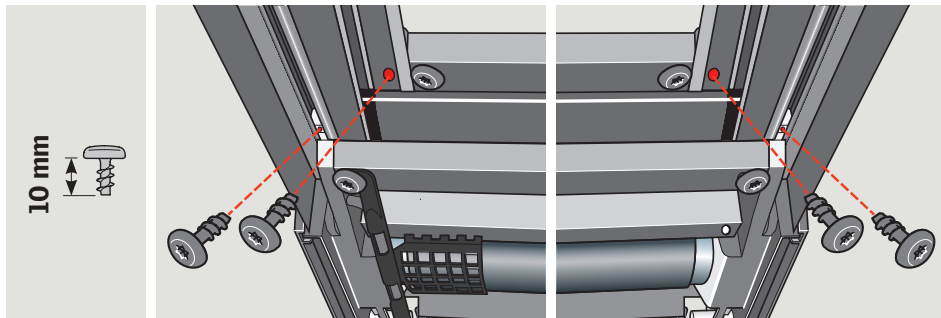
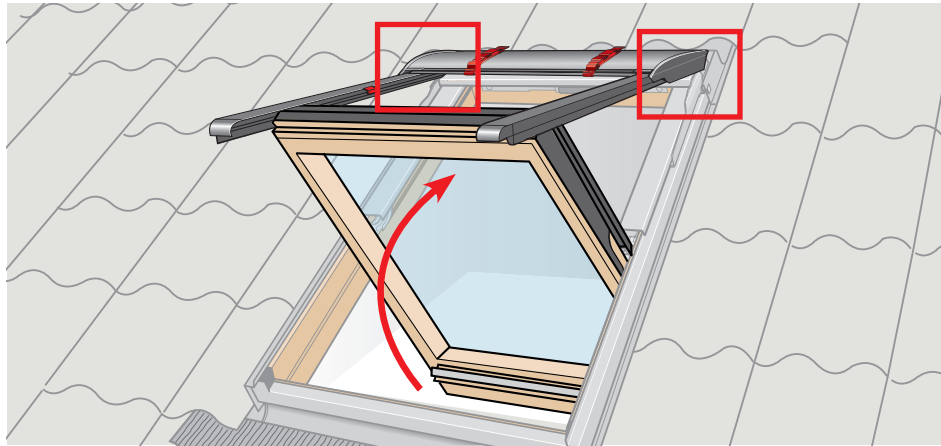
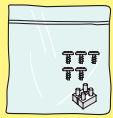
5



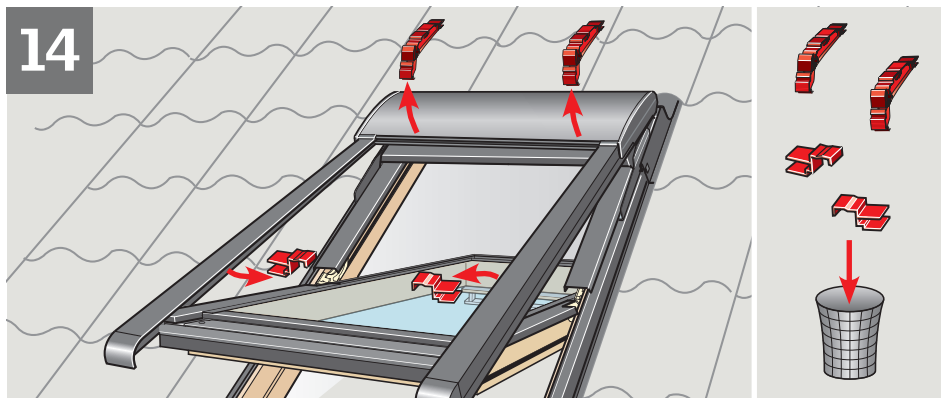




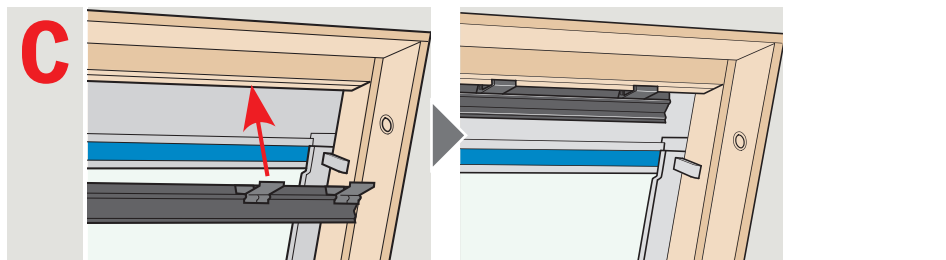
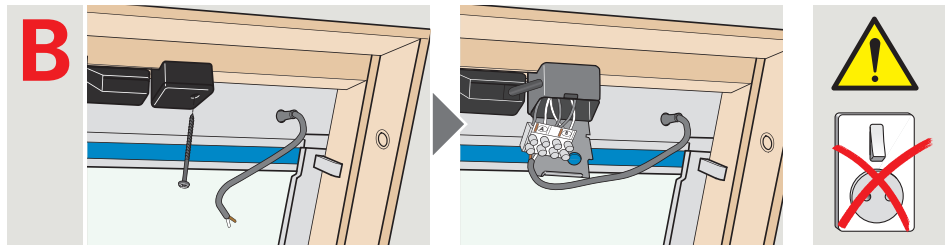
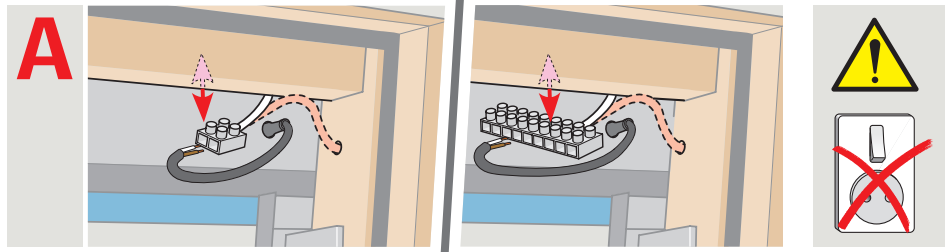
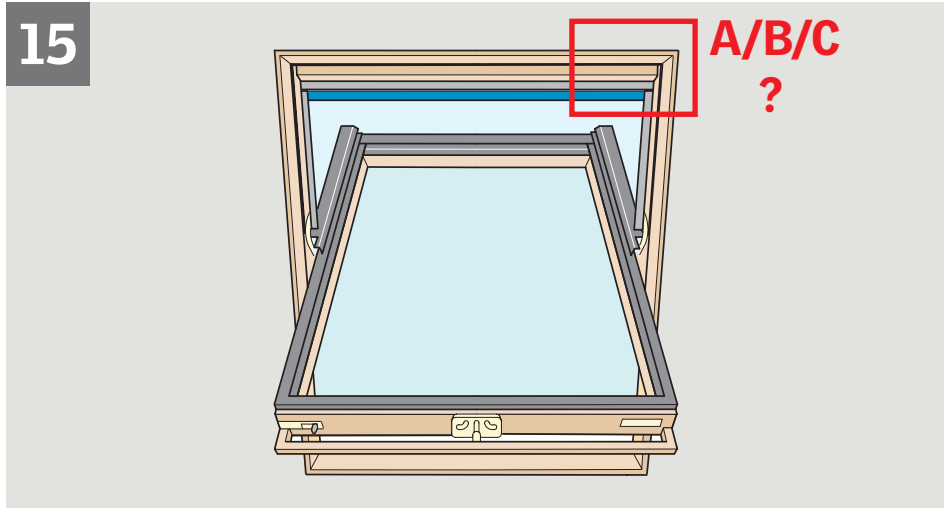
13



14

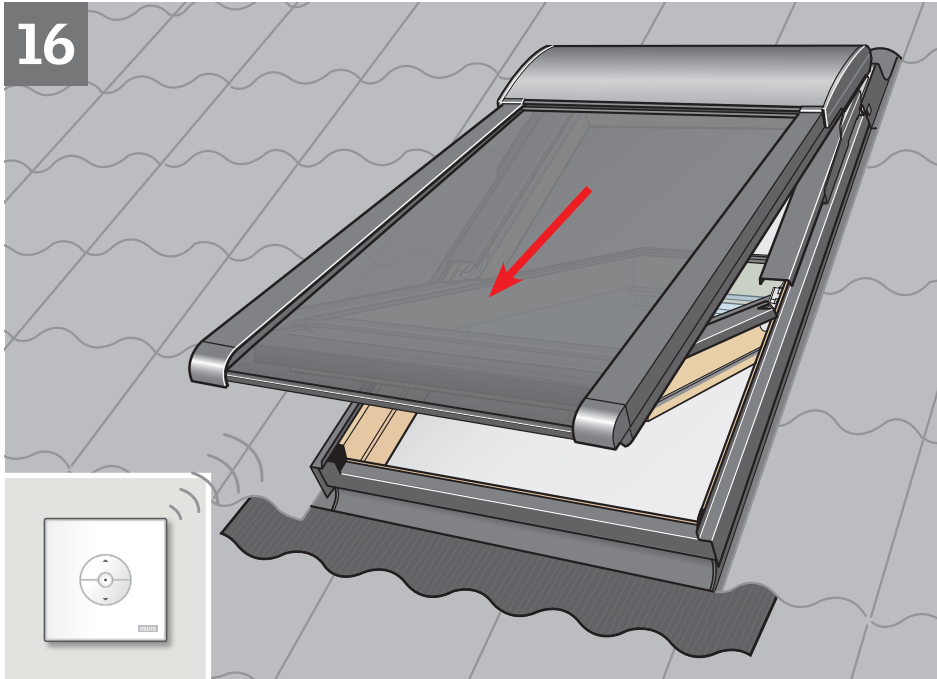


15





16



[www.velux.com/integrasupport](http://www.velux.com/integrasupport)

The block contains two images: on the left, a square silver control panel with a circular dial and four directional arrows; on the right, a white instruction manual with a red 'VELUX' logo at the top and a picture of the control panel on the cover. Below these images is the website address [www.velux.com/integrasupport](http://www.velux.com/integrasupport).



<b>AR:</b> VELUX Argentina S.A. 348 4 639944	<b>IE:</b> VELUX Company Ltd. 01 848 8775
<b>AT:</b> VELUX Österreich GmbH 02245/32 3 50	<b>IT:</b> VELUX Italia s.p.a. 045/6173666
<b>AU:</b> VELUX Australia Pty. Ltd. 1300 859 856	<b>JP:</b> VELUX-Japan Ltd. 0570-00-8145
<b>BA:</b> VELUX Bosna i Hercegovina d.o.o. 033/626 493, 626 494	<b>LT:</b> VELUX Lietuva, UAB (85) 270 91 01
<b>BE:</b> VELUX Belgium (010) 42.09.09	<b>LV:</b> VELUX Latvia SIA 67 27 77 33
<b>BG:</b> ВЕЛУКС България ЕООД 02/955 99 30	<b>NL:</b> VELUX Nederland B.V. 030 - 6 629 629
<b>BY:</b> Унитарное предприятие "ВЕЛЮКС Мансардные Окна" (017) 329 20 89	<b>NO:</b> VELUX Norge AS 22 51 06 00
<b>CA:</b> VELUX Canada Inc. 1 800 88-VELUX (888-3589)	<b>NZ:</b> VELUX New Zealand Ltd. 0800 650 445
<b>CH:</b> VELUX Schweiz AG 062 289 44 45	<b>PL:</b> VELUX Polska Sp. z o.o. (022) 33 77 000 / 33 77 070
<b>CL:</b> VELUX Chile Limitada 2 953 6789	<b>PT:</b> VELUX Portugal, Lda 21 880 00 60
<b>CN:</b> VELUX (CHINA) CO. LTD. 0316-607 27 27	<b>RO:</b> VELUX România S.R.L. 0-8008-83589
<b>CZ:</b> VELUX Česká republika, s.r.o. 531 015 511	<b>RS:</b> VELUX Srbija d.o.o. 011 20 57 500
<b>DE:</b> VELUX Deutschland GmbH 040 / 54 70 70	<b>RU:</b> ЗАО ВЕЛЮКС (495) 640 87 20
<b>DK:</b> VELUX Danmark A/S 45 16 45 16	<b>SE:</b> VELUX Svenska AB 042/20 83 80
<b>EE:</b> VELUX Eesti OÜ 621 7790	<b>SI:</b> VELUX Slovenija d.o.o. 01 724 68 68
<b>ES:</b> VELUX Spain, S.A. 91 509 71 00	<b>SK:</b> VELUX Slovensko, s.r.o. (02) 33 000 555
<b>FI:</b> VELUX Suomi Oy 0207 290 800	<b>TR:</b> VELUX Çatı Pencereleri Ticaret Limited Şirketi 0 216 302 54 10
<b>FR:</b> VELUX France 0821 02 15 15 0,119€ TTC/min	<b>UA:</b> ТОВ "ВЕЛЮКС Україна" (044) 2916070
<b>GB:</b> VELUX Company Ltd. 01592 778 225	<b>US:</b> VELUX America LLC 1-800-88-VELUX
<b>HR:</b> VELUX Hrvatska d.o.o. 01/5555 444	
<b>HU:</b> VELUX Magyarország Kft. (06/1) 436-0601	